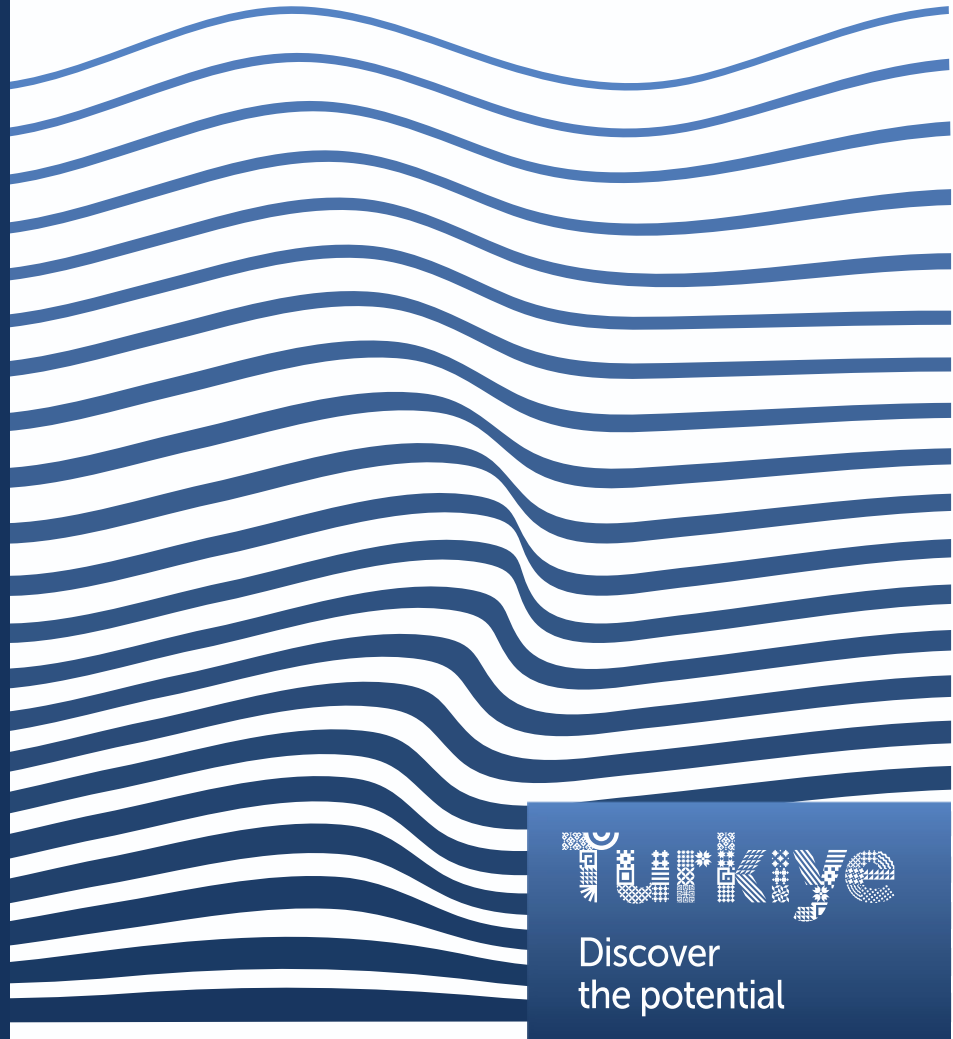


AKER LIGHTING

UNDERWATER LIGHTING TECHNOLOGIES

SINCE 1955



2026 MARINE



Discover
the potential



INDEX

Product Category	Pages
Aluminium Bronze Yacht Lighting	1 - 22
Surface-Mounted Thermal Resin Yacht Lighting	23 - 26
Cockpit Lighting	27 - 28
Reading Lighting	29 - 30
IP67 Waterproof Downlights	31 - 34
Sailboat Pole Lighting	35 -
IP68 Outdoor Lighting	36 - 37
Indoor LED Bar Lighting	38 -
IP68 Connectors	39 - 40
RGBW Controllers	41 -

AK BORU®

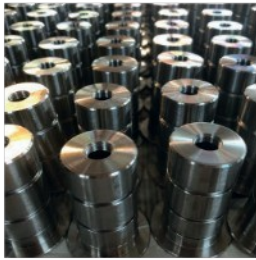
Thanks to our esteemed founder Mr. Suleyman Alkan, our company was established 1955 in Istanbul, Turkey. In our earlier years, we mostly in specialized metalwork such as pipe manufacturing. Period of time, our company started to garner attention and praise from the industry for our quality products. Over time, we extended our portfolio of products and became one of the leaders in our field.



Our company kept growing, and in 1998 was converted to an LLC.



Towards the end of 2008, we started LED underwater and pool lighting, which requires high manufacturing technology. We developed a very innovative system in PAR56 class pool light bulbs and surface-mounted pool light bulbs, and launched the first technological products in the world and in Turkey. While our country and the world are in search of energy saving product, our company has started to limit its LED production to only energy-saving and environment-friendly product.



Since 2012, we have taken our experience from underwater pool lighting technology to a higher level and added underwater Yacht and Boat lighting to our production tree. In order to increase our product quality and intensify our international trade, our products have CE and CB certificates. All the products we have made are produced within our company and exported to many countries of the world, especially to America and European countries. As an innovative and quality-loving company, we will be in the desire to continue to offer you higher quality products with our special design.



1955

1980

In 1980, Mr. Alkan and his three friends started and organized a modern industrial park, Istanbul Dogu Industrial Park. Our company shortly moved to this new site due to our increasing need for industrial space.

1998

AK BORU ELEKTRİK CO. LTD.

1999

Since 1999, we have started to manufacture on garden lighting. In the following years, we have increased the production range of many garden fixtures made of Stainless steel, Aluminum and special durable Resin materials day by day.

2008



2010

After the first days of 2010, we started to maximize our machinery, mold and electronic engineering investments. We manufacture many LED underwater and pool lighting and cases, garden lighting from stainless steel, aluminum and special plastics, solar panel lighting, implementation of ceiling lighting with LED, wall lighting. Most of them are genuine and industrial design patented. With the desire of our company to focus on continuous quality, we have certified our management style with ISO9001:2015.

2012



AK BORU[®]

CORPORATE MANAGEMENT

Süleyman ALKAN
General manager

Founder of the company, Mr. Alkan pioneered numerous innovations with groundbreaking inventions in the design and manufacture of industrial machines. His visionary leadership laid the foundation for AK BORU's continued success.



Zafer ALKAN
Export & Finance

Responsible for export operations and financial strategy. He also leads R&D projects, designs new products, and holds several patents — including the patented cooling system for PAR56 pool bulbs.



Ali ALKAN
Purchasing & Procurement

Focused on financial planning and procurement operations, he coordinates production schedules and development strategies to ensure efficient and timely manufacturing across the factory.

Hasan Kamil ALKAN
Director of Manufacturing and Projects

Specializing in 3D design and production planning, he oversees the full manufacturing process of our lighting products. Expert in molding and tooling, he also manages the production of our custom machines and molds.



AL UWL301 TH

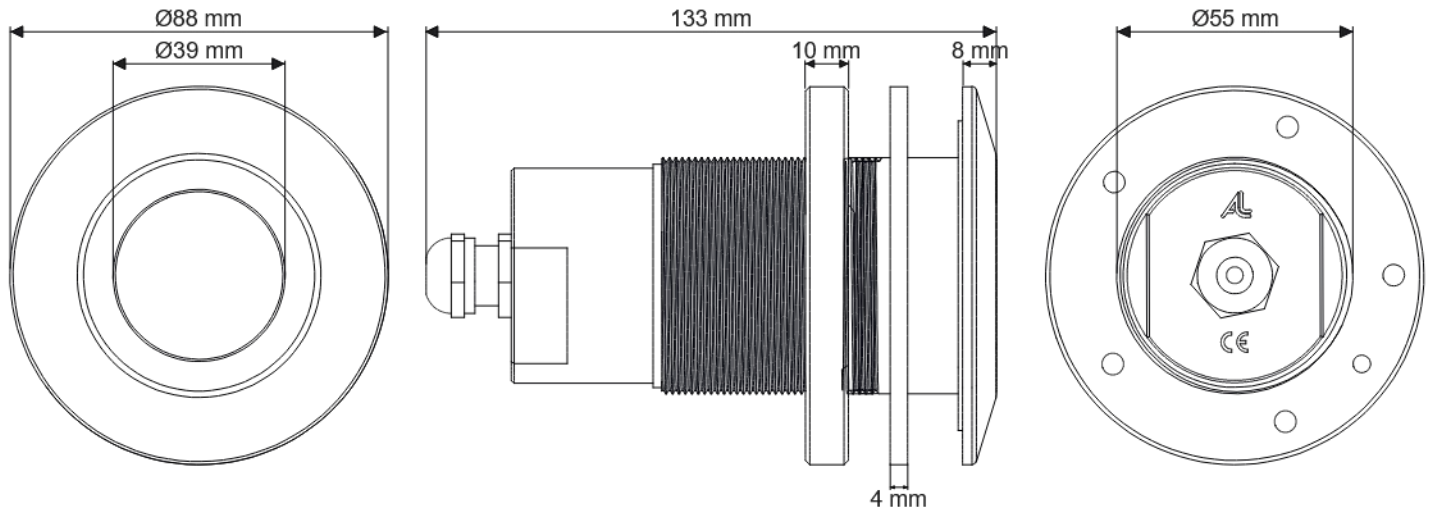


Boat Size: 7 – 25 m / 25 – 80 ft

- Resistant to salt water thanks to its Aluminium Bronze body
- Reinforced aluminium inner core housing, fully replaceable
- Equipped with high-power LEDs, each rated at 4 W
- Each LED delivers 140 – 150 lumens
- Full-colour RGBW LEDs for vivid underwater illumination
- 8 mm shockproof tempered glass
- Durable marine-grade waterproof cable
- No need to dismantle the entire fixture when replacing LEDs
- The LED module can easily be replaced by loosening the aluminium capsule from inside the boat, while the aluminium bronze body remains fixed
- Optional AHD 2 MP 1080 P camera can be integrated into the same housing



Product Specifications



Product Code	AL UWL301 TH
Boat Size	7 – 25 m / 25 – 80 ft
Single-Colour LED	White 16 × 4 W, Royal Blue 16 × 4 W – 3535 LED / 110° Beam Angle
RGBW LED	RGBW 15 × 4 W – 3535 LED / 110° Beam Angle
Voltage	10 – 30 V DC
Current (24 V / 12 V)	3.0 A / 6.0 A
Power Consumption	64 W (Single Colour) / 60 W (RGBW)
Luminous Flux	<ul style="list-style-type: none"> • Single-Colour: White 9000 lm, Royal Blue 3360 lm • RGBW: R – 750 lm, G – 1800 lm, B – 450 lm, W – 2250 lm, Combined RGBW – 5250 lm
Protection Rating	IP68 – Class III
Body Material	Marine-grade aluminium bronze housing with aluminium LED core
Glass	8 mm special tempered glass (shock-resistant)
Cable	<ul style="list-style-type: none"> • Single-Colour: 2 m, 2×1.5 mm² RNF marine cable • RGBW: 2 m, 5×0.75 mm² RNF marine cable
Driver	External constant-current LED driver housed in an aluminium heat-sink enclosure
Camera Compatibility	Integration of 2 MP AHD 1080P camera available upon core modification
Dimensions	<ul style="list-style-type: none"> • Light Head Diameter – 88 mm • Head Height – 8 mm • Full Length – 133 mm • Glass Diameter – 39 mm • Mounting Hole – 55 mm
Installation Depth	5 m. (Max.)
Weight	1,625 gr.

U.V. IP68 CLASS III

Do not operate without water.

AL UWL301 THS

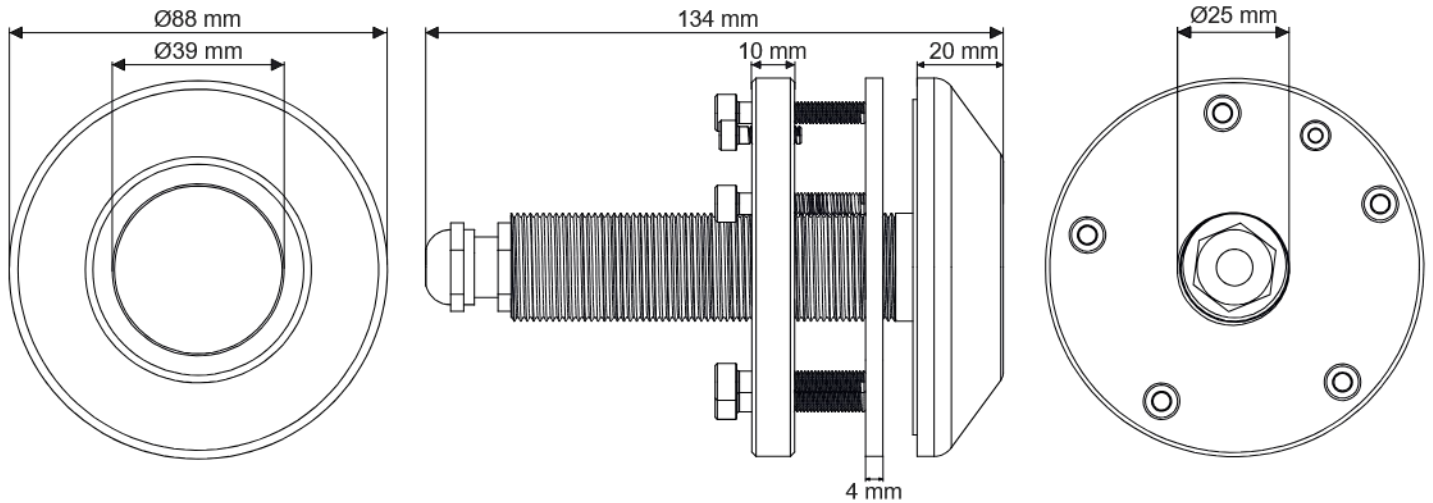


Boat Size: 7 – 25 m / 25 – 80 ft

- Resistant to salt water thanks to its Aluminium Bronze body
- Designed with a fixed aluminium bronze inner core for maximum durability
- Slim body structure allows installation without large hull holes
- Features a rear Aluminium bronze compression plate for stronger and more secure mounting
- Equipped with high-power LEDs, each rated at 4 W
- Each LED delivers 140–150 lumens
- Full-colour RGBW LEDs for vivid underwater illumination
- 8 mm shockproof tempered glass
- Durable marine-grade waterproof cable
- Camera installation is not applicable due to slim body design



Product Specifications

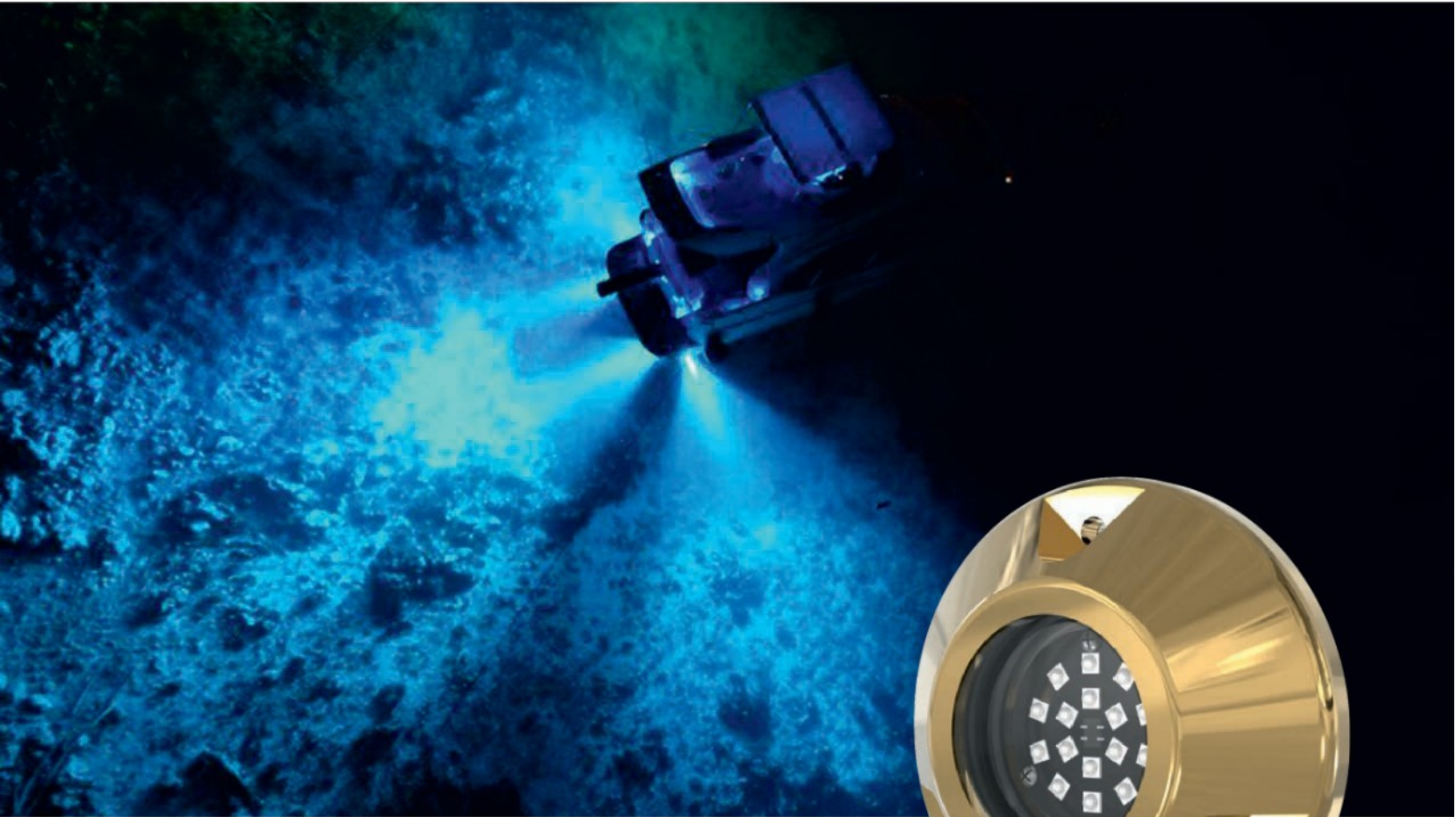


Product Code	AL UWL301 THS
Boat Size	7 – 25 m / 25 – 80 ft
Single-Colour LED	White 16 × 4 W, Royal Blue 16 × 4 W – 3535 LED / 110° Beam Angle
RGBW LED	RGBW 15 × 4 W – 3535 LED / 110° Beam Angle
Voltage	10 – 30 V DC
Current (24 V / 12 V)	3.0 A / 6.0 A
Power Consumption	64 W (Single Colour) / 60 W (RGBW)
Luminous Flux	<ul style="list-style-type: none"> • Single-Colour: White 9000 lm, Royal Blue 3360 lm • RGBW: R – 750 lm, G – 1800 lm, B – 450 lm, W – 2250 lm, Combined RGBW – 5250 lm
Protection Rating	IP68 – Class III
Body Material	Marine-grade aluminium bronze body
Glass	8 mm special tempered glass (shock-resistant)
Cable	<ul style="list-style-type: none"> • Single-Colour: 2 m, 2×1.5 mm² RNF marine cable • RGBW: 2 m, 5×0.75 mm² RNF marine cable
Driver	External constant-current LED driver housed in an aluminium heat-sink enclosure
Camera Compatibility	Not applicable due to slim body design
Dimensions	<ul style="list-style-type: none"> • Light Head Diameter – 88 mm • Head Height – 20 mm • Full Length – 134 mm • Glass Diameter – 39 mm • Mounting Hole – 25 mm
Installation Depth	5 m. (Max.)
Weight	1.225 g

U.V. IP68 **CLASS III**

Do not operate without water.

AL UWL301 SM

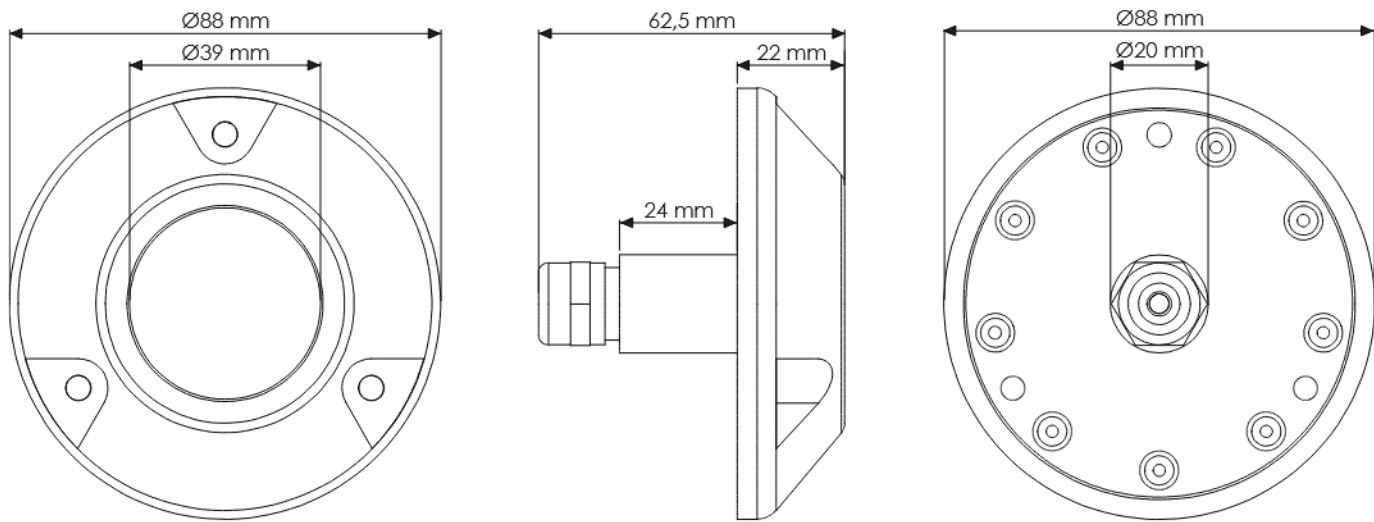


Boat Size: 7 – 25 m / 25 – 80 ft

- Resistant to salt water thanks to its Aluminium Bronze body
- Equipped with high-tech power LEDs, each rated at 4 W
- Each LED delivers 140–150 lumens
- Full-colour RGBW LEDs for vivid underwater illumination
- 8 mm shockproof tempered glass
- Durable marine-grade waterproof cable
- Practical surface-mount installation: only a 20 mm cable hole is drilled in the hull, and the light is mounted flush to the surface of the boat



Product Specifications

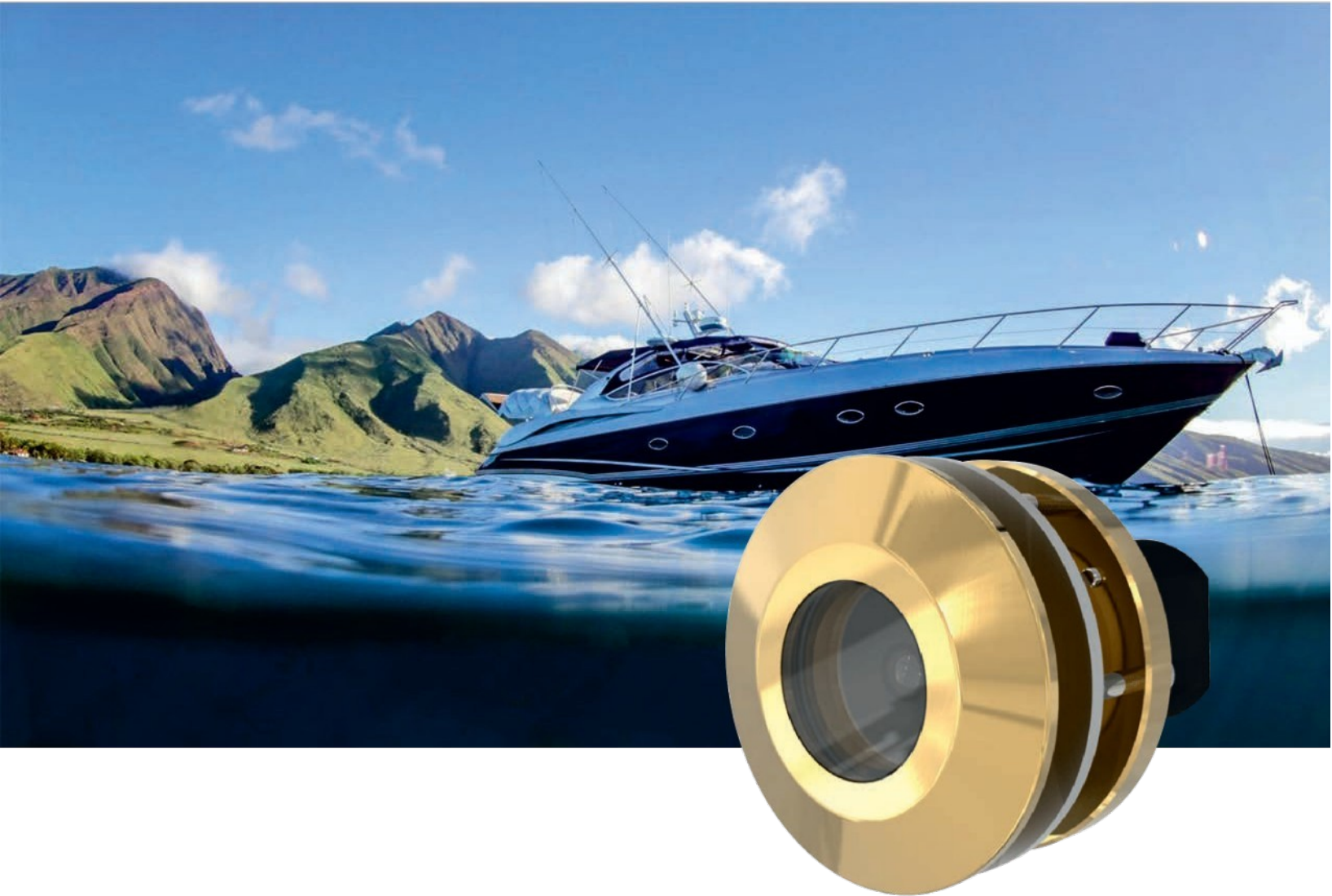


Product Code	AL UWL301 SM
Boat Size	7 – 25 m / 25 – 80 ft
Single-Colour LED	White 16 × 4 W, Royal Blue 16 × 4 W – 3535 LED / 110° Beam Angle
RGBW LED	RGBW 15 × 4 W – 3535 LED / 110° Beam Angle
Voltage	10 – 30 V DC
Current (24 V / 12 V)	3.0 A / 6.0 A
Power Consumption	64 W (Single Colour) / 60 W (RGBW)
Luminous Flux	<ul style="list-style-type: none"> • Single-Colour: White 9000 lm, Royal Blue 3360 lm • RGBW: R – 750 lm, G – 1800 lm, B – 450 lm, W – 2250 lm, Combined RGBW – 5250 lm
Protection Rating	IP68 – Class III
Body Material	Marine-grade aluminium bronze body with AISI 316L stainless-steel back cover
Glass	8 mm special tempered glass (shock-resistant)
Cable	<ul style="list-style-type: none"> • Single-Colour: 2 m, 2×1.5 mm² RNF marine cable • RGBW: 2 m, 5×0.75 mm² RNF marine cable
Driver	External constant-current LED driver housed in an aluminium heat-sink enclosure
Camera Compatibility	Not applicable (due to compact surface-mount design)
Dimensions	<ul style="list-style-type: none"> • Light Head Diameter — 88 mm • Head Height — 22 mm • Full Length — 62.5 mm • Glass Diameter — 39 mm • Mounting Hole — 20 mm
Installation Depth	5 m. (Max.)
Weight	0.69 kg (690 g)

U.V. IP68 **CLASS III**

Do not operate without water.

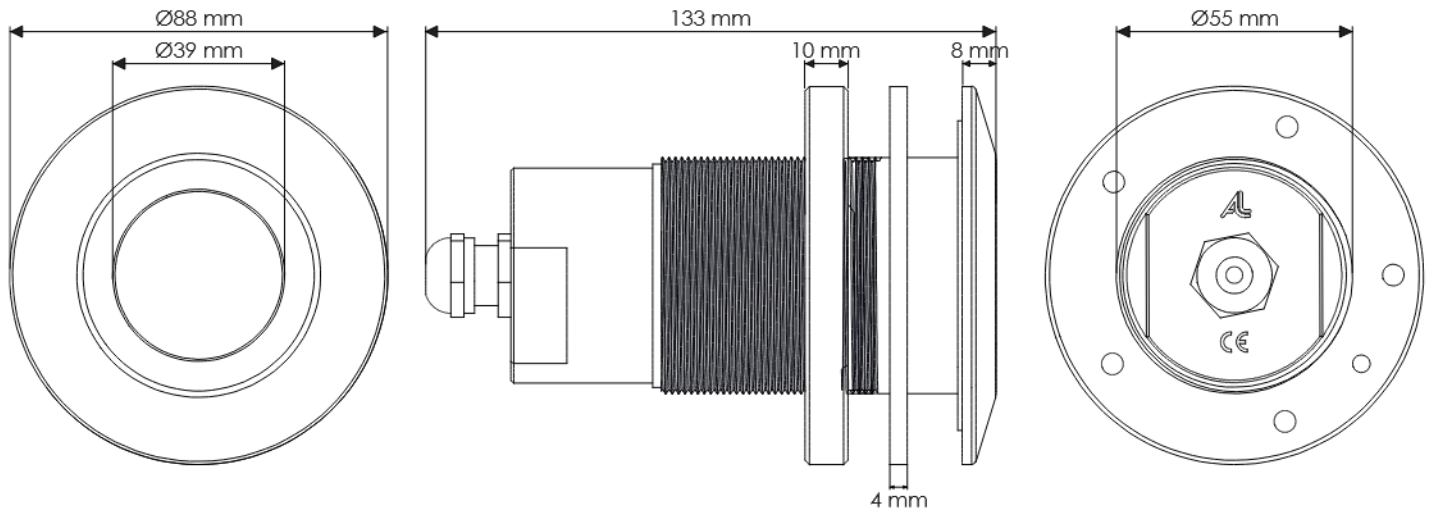
AL UWC301 TH



- Resistant to salt water thanks to its Aluminium Bronze body
- Reinforced aluminium replaceable inner core housing
- Integrated 2 MP AHD 1080P camera provides clear and bright underwater image
- High-resolution AHD camera ensures detailed visibility even in low-light conditions
- 8 mm shockproof tempered glass
- Neoprene RNF marine cable
- Easy to replace by loosening the aluminium lighting capsule from inside the boat the Aluminium Bronze body remains fixed on the hull



Product Specifications



Product Code	AL UWC301 TH
Resolution	Full HD 1080P
Camera Sensor	2MP SONY
Effective Pixels	1920 (H) X 1080 (V)
Lens	3.6 mm fixed-focus
Minimum Illumination	0,0001 Lux
Signal System	PAL / NTSC
Viewing Angle	90°
Video Output	AHD
Power Consumption	1 W
Current	0.1A
Input Voltage	12 VDC
Protection Rating	IP68 – CLASS III
Body Material	Marine-grade aluminium bronze body with aluminium LED core
Glass	8 mm special tempered glass (shock-resistant)
Product Sizes	<ul style="list-style-type: none"> • Outer Head Diameter — 88 mm • Head Height — 8 mm • Full Length — 132.8 mm • Glass Diameter — 39 mm • Mounting Hole — 55 mm
Installation Depth	5 m. (Max.)
Weight	1.61 kg

U.V. IP68 CLASS III

AL UWL302 TH

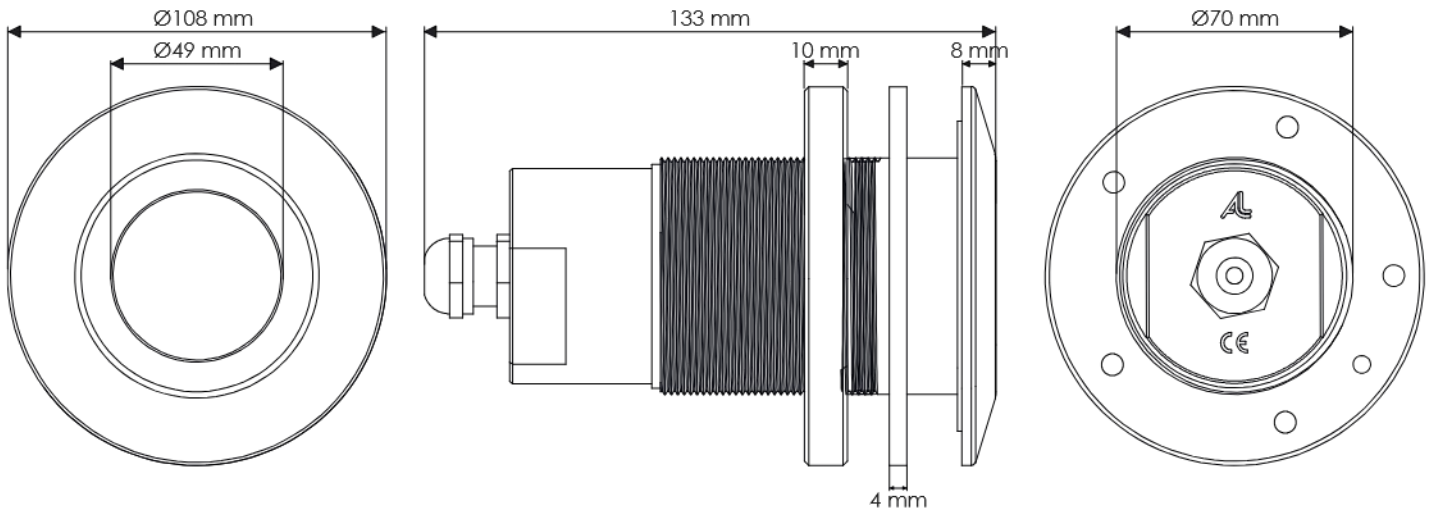


Boat Size: 7 – 50 m / 25 – 165 ft

- Resistant to salt water thanks to its Aluminium Bronze body
- Reinforced aluminium inner core housing, fully replaceable
- Equipped with high-power LEDs, each rated at 4 W
- Each LED delivers 140–150 lumens
- Full-colour RGBW LEDs for vivid underwater illumination
- 8 mm shockproof tempered glass
- Durable marine-grade waterproof cable
- No need to dismantle the entire fixture when replacing LEDs
- The LED module can easily be replaced by loosening the aluminium capsule from inside the boat, while the Aluminium bronze body remains permanently fixed



Product Specifications



Product Code	AL UWL302 TH
Boat Size	7 – 50 m / 25 – 165 ft
Single-Colour LED	White 32 × 4 W, Royal Blue 32 × 4 W – 3535 LED / 110° Beam Angle
RGBW LED	RGBW 30 × 4 W – 3535 LED / 110° Beam Angle
Voltage	10 – 30 V DC
Current (24 V / 12 V)	5.4 A / 10.8 A
Power Consumption	128 W (Single Colour) / 120 W (RGBW)
Luminous Flux	<ul style="list-style-type: none"> • Single-Colour: White 18,000 lm, Royal Blue 6,720 lm • RGBW: R 1,500 lm, G 3,600 lm, B 900 lm, W 4,500 lm, Combined RGBW 10,500 lm
Protection Rating	IP68 – Class III
Body Material	Marine-grade aluminium bronze housing with aluminium LED core
Glass	8 mm special tempered glass (shock-resistant)
Cable	<ul style="list-style-type: none"> • Single-Colour: 2 m, 2×1.5 mm² RNF marine cable • RGBW: 2 m, 5×0.75 mm² RNF marine cable
Driver	External constant-current LED driver housed in an aluminium heat-sink enclosure
Camera Compatibility	Integration of 2 MP AHD 1080P camera available upon core modification
Dimensions	<ul style="list-style-type: none"> • Light Head Diameter — 108 mm • Head Height — 8 mm • Full Length — 134 mm • Glass Diameter — 51 mm • Mounting Hole — 25 mm
Installation Depth	5 m. (Max.)
Weight	1,970 g

U.V. IP68 CLASS III

Do not operate without water.

AL UWL302 THS

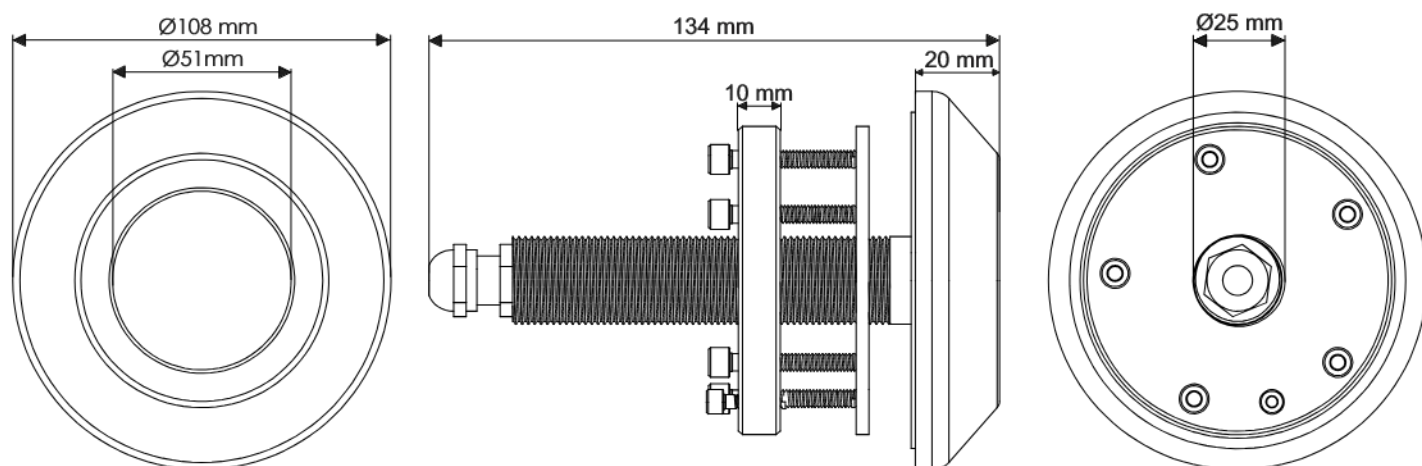


Boat Size: 7 – 25 m / 25 – 80 ft

- Resistant to salt water thanks to its Aluminium Bronze body
- Designed with a fixed aluminium bronze inner core for maximum durability
- Slim body structure allows installation without large hull holes
- Features a rear Aluminium bronze compression plate for stronger and more secure mounting
- Equipped with high-power LEDs, each rated at 4 W
- Each LED delivers 140–150 lumens
- Full-colour RGBW LEDs for vivid underwater illumination
- 8 mm shockproof tempered glass
- Durable marine-grade waterproof cable
- Camera installation is not applicable due to slim body design



Product Specifications

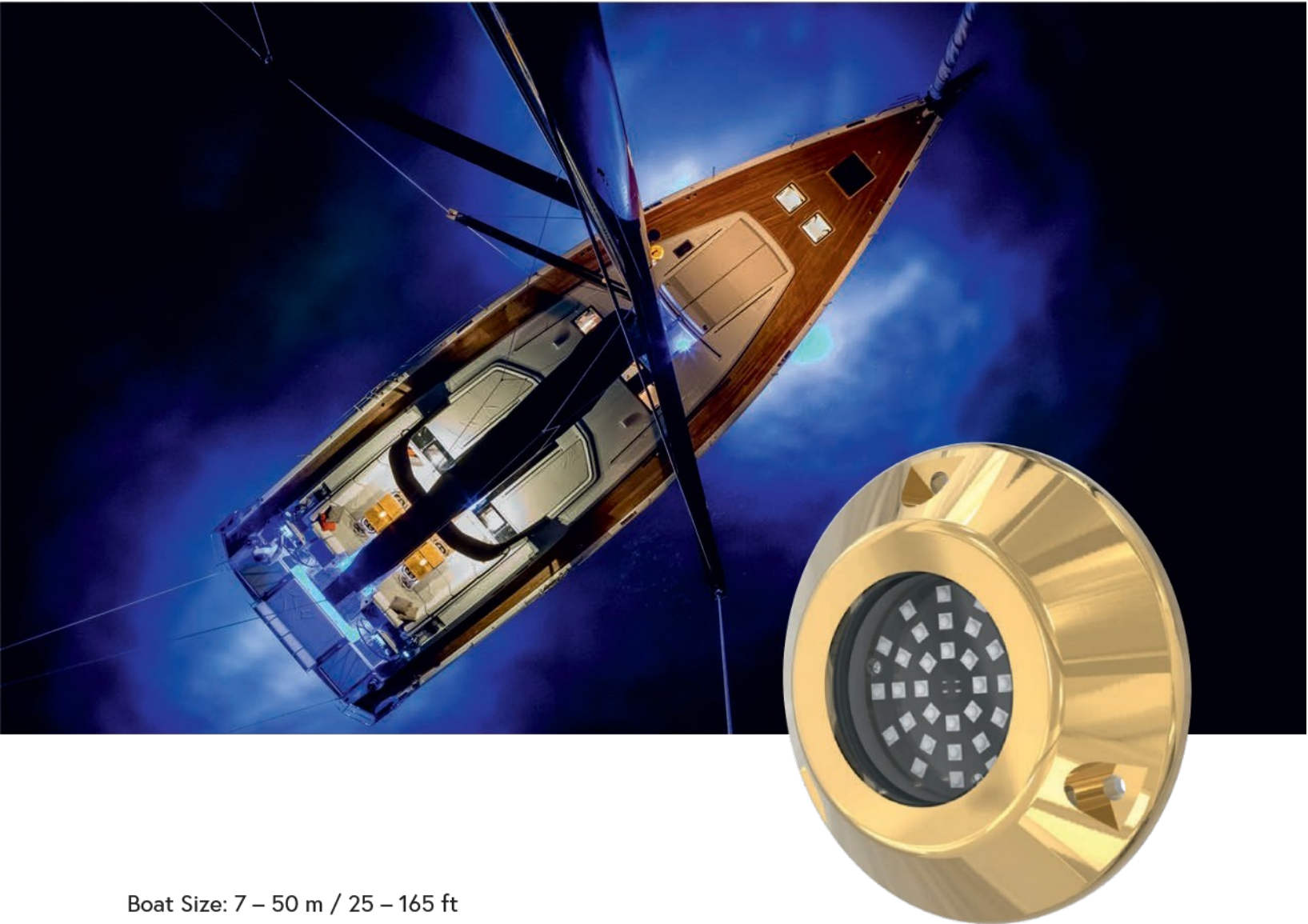


Product Code	AL UWL302 THS
Boat Size	7 – 25 m / 25 – 80 ft
Single-Colour LED	White 32 × 4 W, Royal Blue 32 × 4 W – 3535 LED / 110° Beam Angle
RGBW LED	RGBW 30 × 4 W – 3535 LED / 110° Beam Angle
Voltage	10 – 30 V DC
Current (24 V / 12 V)	5.4 A / 10.8 A
Power Consumption	128 W (Single Colour) / 120 W (RGBW)
Luminous Flux	<ul style="list-style-type: none"> • Single-Colour: White 18,000 lm, Royal Blue 6,720 lm • RGBW: R – 1,500 lm, G – 3,600 lm, B – 900 lm, W – 4,500 lm, Combined RGBW – 10,500 lm
Protection Rating	IP68 – Class III
Body Material	Marine-grade aluminium bronze body
Glass	8 mm special tempered glass (shock-resistant)
Cable	<ul style="list-style-type: none"> • Single-Colour: 2 m, 2×1.5 mm² RNF marine cable • RGBW: 2 m, 5×0.75 mm² RNF marine cable
Driver	External constant-current LED driver housed in an aluminium heat-sink enclosure
Camera Compatibility	Not applicable due to slim body design
Dimensions	<ul style="list-style-type: none"> • Light Head Diameter — 108 mm • Head Height — 20 mm • Full Length — 134 mm • Glass Diameter — 51 mm • Mounting Hole — 25 mm
Installation Depth	5 m. (Max.)
Weight	1.970 kg

U.V. IP68 CLASS III

Do not operate without water.

AL UWL302 SM

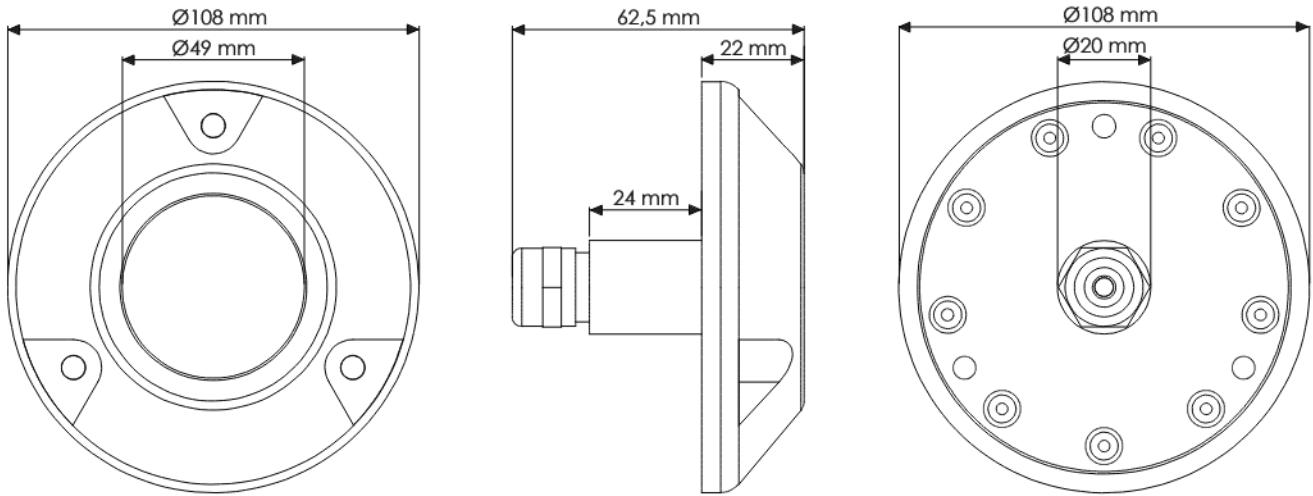


Boat Size: 7 – 50 m / 25 – 165 ft

- Resistant to salt water thanks to its Aluminium Bronze body
- Equipped with high-power 3535 LEDs, each rated at 4 W
- Each LED delivers 140–150 lumens
- Full-colour RGBW LEDs for vivid underwater illumination
- 8 mm shockproof tempered glass
- Durable marine-grade waterproof cable
- Surface-mount installation — only a 20 mm cable hole is drilled in the hull, and the fixture is mounted flush on the surface
- Underwater camera not applicable



Product Specifications



Product Code	AL UWL302 SM
Boat Size	7 – 50 m / 25 – 165 ft
Single-Colour LED	White 32 × 4 W & Royal Blue 32 × 4 W — 3535 High Power LED / 110° Beam Angle
RGBW LED	30 × 4 W — 3535 High Power LED / 110° Beam Angle
Voltage	10 – 30 V DC
Current (24 V / 12 V)	5.4 A / 10.8 A
Power Consumption	128 W (Single Colour) / 120 W (RGBW)
Luminous Flux	<ul style="list-style-type: none"> • Single-Colour – White 18,000 lm, Royal Blue 6,720 lm • RGBW – R 1,500 lm, G 3,600 lm, B 900 lm, W 4,500 lm, Combined RGBW 10,500 lm
Protection Rating	IP68 – Class III
Body Material	Marine-grade aluminium bronze body with AISI 316L stainless-steel back cover
Glass	8 mm special tempered glass (shock-resistant)
Cable	<ul style="list-style-type: none"> • Single-Colour: 2 m, 2×1.5 mm² RNF marine cable • RGBW: 2 m, 5×0.75 mm² RNF marine cable
Driver	External constant-current LED driver housed in an aluminium heat-sink enclosure
Camera Compatibility	Not applicable (due to compact surface-mount design)
Dimensions	<ul style="list-style-type: none"> • Light Head Diameter — 108 mm • Head Height — 22 mm • Full Length — 63.5 mm • Glass Diameter — 49 mm • Mounting Hole — 20 mm
Installation Depth	5 m. (Max.)
Weight	0.87 kg (870 g)

U.V. IP68 CLASS III

Do not operate without water.

AL UWL303 TH

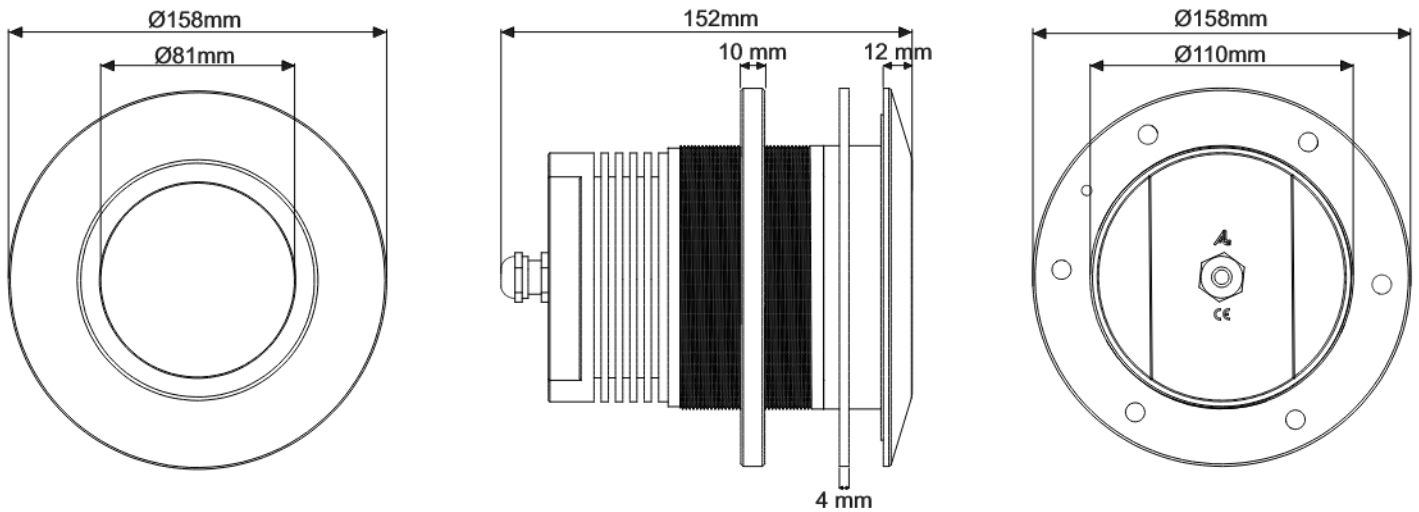


Boat Size: 15 – 100 m / 50 – 330 ft

- Resistant to salt water thanks to its Aluminium Bronze body
- Reinforced aluminium replaceable inner core housing
- Equipped with high-power 3535 LEDs, each rated at 4 W
- Each LED delivers 140 – 150 lumens
- Full-colour RGBW LEDs for vivid underwater illumination
- 12 mm shockproof tempered glass
- Durable marine-grade waterproof cable
- No need to dismantle the entire fixture when replacing LEDs
- The LED module can easily be replaced by loosening the aluminium capsule from inside the boat, while the Aluminium bronze body remains fixed



Product Specifications



Product Code	AL UWL303 TH
Boat Size	15 m – 100 m / 50 ft – 330 ft
Single-Colour LED	White 64 × 4 W & Royal Blue 64 × 4 W — 3535 High Power LED / 110° Beam Angle
RGBW LED	60 × 4 W — 3535 High Power LED / 110° Beam Angle
Voltage	10 – 30 V DC
Current (24 V / 12 V)	11.0 A / 22.0 A
Power Consumption	256 W (Single Colour) / 240 W (RGBW)
Luminous Flux	<ul style="list-style-type: none"> • Single-Colour – White 36 000 lm, Royal Blue 13 440 lm • RGBW – R 3 000 lm, G 7 200 lm, B 1 800 lm, W 9 000 lm, Combined RGBW 21 000 lm
Protection Rating	IP68 – Class III
Body Material	Marine-grade aluminium bronze housing with aluminium LED core
Glass	12 mm special tempered glass (shock-resistant)
Cable	<ul style="list-style-type: none"> • Single-Colour: 2 m, 2×1.5 mm² RNF marine cable • RGBW: 2 m, 5×0.75 mm² RNF marine cable
Driver	External constant-current LED driver housed in an aluminium heat-sink enclosure
Camera Compatibility	Integration of 2 MP AHD 1080P camera available upon core modification
Dimensions	<ul style="list-style-type: none"> • Light Head Diameter — 158 mm • Head Height — 10 mm • Full Length — 152 mm • Glass Diameter — 81 mm • Mounting Hole — 110 mm
Installation Depth	5 m. (Max.)
Weight	5,800 gr

U.V. IP68 CLASS III

Do not operate without water.

AL UWL303 THS

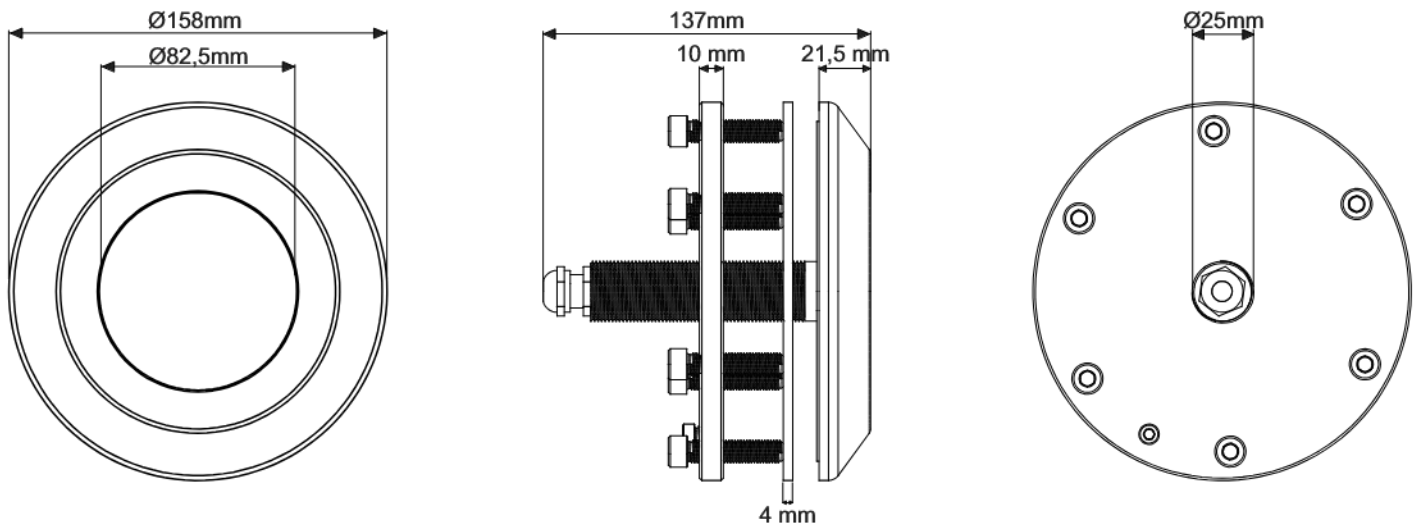


Boat Size: 15 – 100 m / 50 – 330 ft

- Resistant to salt water thanks to its Aluminium Bronze body
- Designed with a fixed aluminium bronze inner core for maximum durability
- Slim body structure allows installation without large hull holes
- Features a rear Aluminium bronze compression plate for stronger and more secure mounting
- Equipped with high-power LEDs, each rated at 4 W
- Each LED delivers 140–150 lumens
- Full-colour RGBW LEDs for vivid underwater illumination
- 12 mm shockproof tempered glass
- Durable marine-grade waterproof cable
- Camera installation is not applicable due to slim body design



Product Specifications



Product Code	AL UWL303 THS
Boat Size	7 – 25 m / 25 – 80 ft
Single-Colour LED	White 64 × 4 W & Royal Blue 64 × 4 W — 3535 High Power LED / 110° Beam Angle
RGBW LED	60 × 4 W — 3535 High Power LED / 110° Beam Angle
Voltage	10 – 30 V DC
Current (24 V / 12 V)	11.0 A / 22.0 A
Power Consumption	256 W (Single Colour) / 240 W (RGBW)
Luminous Flux	<ul style="list-style-type: none"> • Single-Colour – White 36 000 lm, Royal Blue 13 440 lm • RGBW – R 3 000 lm, G 7 200 lm, B 1 800 lm, W 9 000 lm, Combined RGBW 21 000 lm
Protection Rating	IP68 – Class III
Body Material	Marine-grade aluminium bronze body
Glass	12 mm special tempered glass (shock-resistant)
Cable	<ul style="list-style-type: none"> • Single-Colour: 2 m, 2×1.5 mm² RNF marine cable • RGBW: 2 m, 5×0.75 mm² RNF marine cable
Driver	External constant-current LED driver housed in an aluminium heat-sink enclosure
Camera Compatibility	Not applicable due to slim body design
Dimensions	<ul style="list-style-type: none"> • Light Head Diameter — 158 mm • Head Height — 8 mm • Full Length — 137 mm • Glass Diameter — 82.5 mm • Mounting Hole — 25 mm
Installation Depth	5 m. (Max.)
Weight	4,2 kg

U.V. IP68 **CLASS III**

Do not operate without water.

AL UWL303 SM

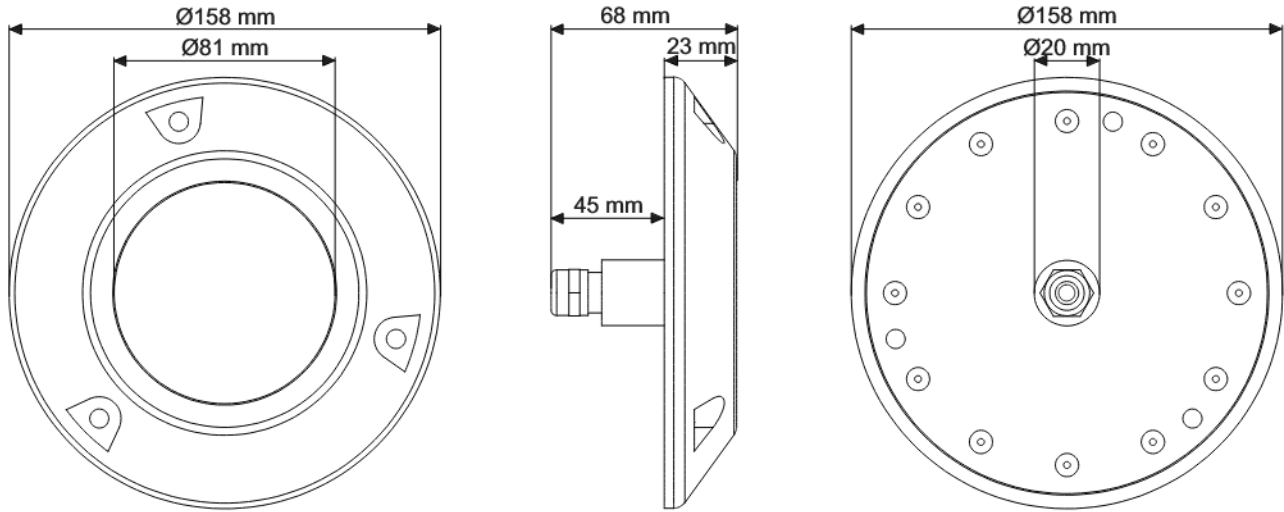


BOAT SIZE : 15-100 mt. / 50-330 ft.

- Resistant to salt water thanks to its Aluminium Bronze body
- Equipped with high-power 3535 LEDs, each rated at 4 W
- Each LED delivers 140 – 150 lumens
- Full-colour RGBW LEDs for vivid underwater illumination
- 12 mm shockproof tempered glass
- Durable marine-grade waterproof cable
- Surface-mount installation — only a 20 mm cable hole is drilled in the hull; the fixture mounts flush on the surface
- Underwater camera not applicable (surface-mount design)



Product Specifications



Product Code	AL UWL303 SM
Boat Size	15 m – 100 m / 50 ft – 330 ft
Single-Colour LED	White 64 × 4 W & Royal Blue 64 × 4 W — 3535 High Power LED / 110° Beam Angle
RGBW LED	60 × 4 W — 3535 High Power LED / 110° Beam Angle
Voltage	10 – 30 V DC
Current (24 V / 12 V)	11.0 A / 22.0 A
Power Consumption	256 W (Single Colour) / 240 W (RGBW)
Luminous Flux	<ul style="list-style-type: none"> • Single-Colour – White 36 000 lm, Royal Blue 13 440 lm • RGBW – R 3 000 lm, G 7 200 lm, B 1 800 lm, W 9 000 lm, Combined RGBW 21 000 lm
Protection Rating	IP68 – Class III
Body Material	Marine-grade aluminium bronze body with AISI 316L stainless-steel back cover
Glass	12 mm special tempered glass (shock-resistant)
Cable	<ul style="list-style-type: none"> • Single-Colour: 2 m, 2×1.5 mm² RNF marine cable • RGBW: 2 m, 5×0.75 mm² RNF marine cable
Driver	External constant-current LED driver housed in an aluminium heat-sink enclosure
Camera Compatibility	Not applicable (due to compact surface-mount design)
Dimensions	<ul style="list-style-type: none"> • Light Head Diameter — 158 mm • Head Height — 23 mm • Full Length — 68 mm • Glass Diameter — 81 mm • Mounting Hole — 20 mm
Installation Depth	5 m. (Max.)
Weight	2,35 kg (2350 g)

U.V. IP68 **CLASS III**

Do not operate without water.

AL UWL401 SM

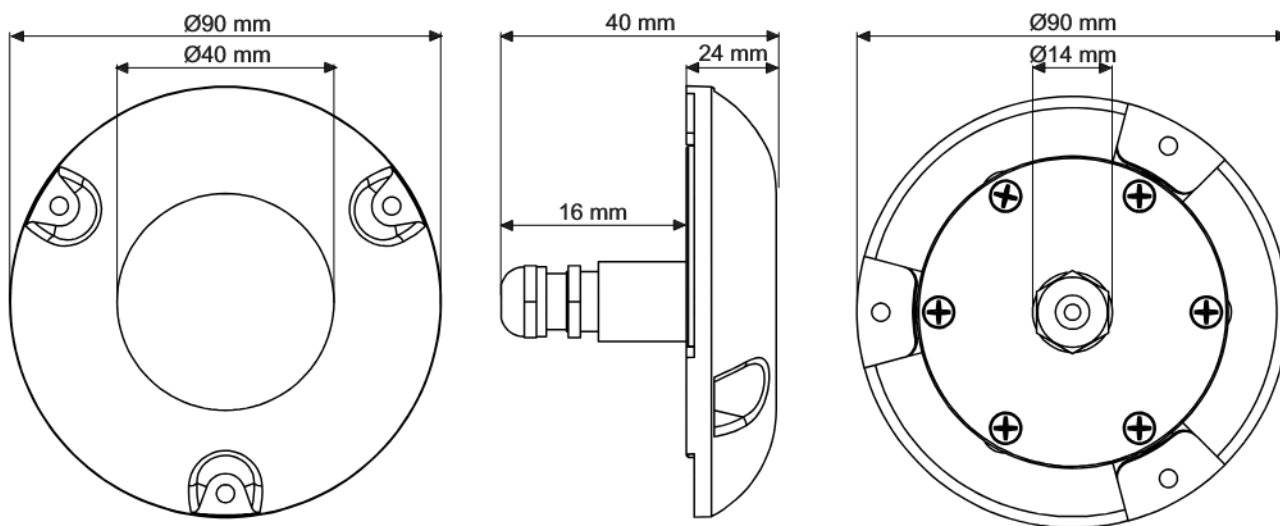


Boat Size: 7 – 25 m / 25 – 80 ft

- Resistant to salt water thanks to its Aluminium Bronze body
- Equipped with high-power 3535 LEDs, each rated at 4 W
- Each LED delivers 140 – 150 lumens
- Full-colour RGBW LEDs for vivid underwater illumination
- Impact-resistant special glass
- Durable marine-grade waterproof cable
- Surface-mount installation: only a 14 mm cable hole is drilled in the hull; the fixture mounts flush on the surface



Product Specifications



Product Code	AL UWL401 SM
Boat Size	7 m – 25 m / 25 ft – 80 ft
Single-Colour LED	White 16 × 4 W & Royal Blue 16 × 4 W — 3535 High Power LED / 110° Beam Angle
RGBW LED	15 × 4 W — 3535 High Power LED / 110° Beam Angle
Voltage	10 – 30 V DC
Current (24 V / 12 V)	3.0 A / 6.0 A
Power Consumption	64 W (Single Colour) / 60 W (RGBW)
Luminous Flux	<ul style="list-style-type: none"> • Single-Colour: White 9 000 lm, Royal Blue 3 360 lm • RGBW: R 750 lm, G 1 800 lm, B 450 lm, W 2 250 lm, Combined RGBW 5 250 lm
Protection Rating	IP68 – Class III
Body Material	Marine-grade aluminium bronze body
Glass	Impact-resistant special glass
Cable	<ul style="list-style-type: none"> • Single-Colour: 2 m, 2×1.5 mm² RNF marine cable • RGBW: 2 m, 5×0.75 mm² RNF marine cable
Driver	External constant-current LED driver housed in an aluminium heat-sink enclosure
Dimensions	<ul style="list-style-type: none"> • Light Head Diameter — 90 mm • Head Height — 24 mm • Full Length — 40 mm • Mounting Hole — 14 mm
Installation Depth	5 m. (Max.)
Weight	590 g

U.V. IP68 CLASS III

Do not operate without water.

AL UWL402 SM



Boat Size: 7 – 25 m / 25 – 80 ft

- Salt-resistant Thermal Resin body
- Impact-resistant special glass
- Equipped with high-tech SMD LEDs of high wattage
- Provides 100 – 110 lumens per watt light output
- RGB full-colour LED option available
- Marine-grade RNF cable ensures long-term durability
- Surface-mount installation – only a 10 mm cable hole is drilled in the hull; the fixture mounts flush on the surface

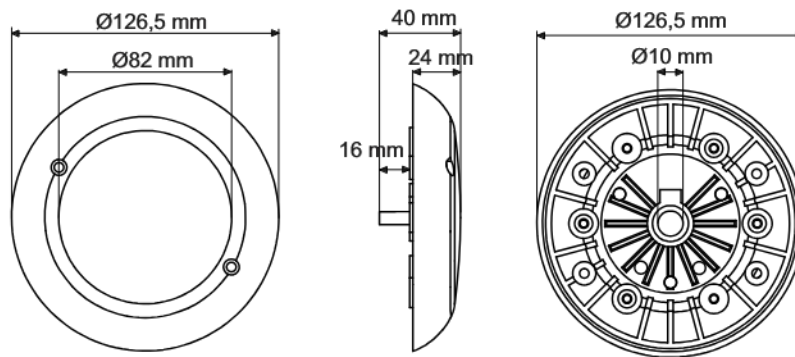


Do not operate without water.



PATENTED

Product Specifications





Product Code	AL UWL402 SM - 15W	AL UWL402 SM - 25W
Boat Size	7 m – 25 m / 25 ft – 80 ft	
Single-Colour LED	30 pcs — 5730 High Power LED	48 pcs — 5730 High Power LED
RGB LED	42 pcs — 5050 High Power LED	
Beam Angle	110°	
Voltage	12VDC - 24VDC	
Current (12 V / 24 V)	1.25A / 0.63A	2.10A / 1,05A
Power Consumption	Single Colour 15W. - RGBW 9W.	Single Colour 25W.
Luminous Flux	White 1500 , Blue 900 , Green 1020 lm	White 2500 , Blue 1500 , Green 1700 lm
Cable	Single Colour – 2 m 2×0.50 mm ² RNF RGB – 2 m 4×0.50 mm ² RNF	
Dimensions	Light Head Diameter 126.5 mm / Height 24 mm / Length 40 mm	
Installation Hole	Ø10 mm	

U.V. IP68 **CLASS III**

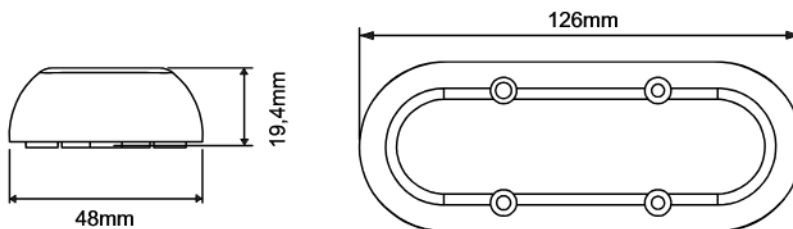
AL UWL403 SM

- Boat Size: 7 – 25 m / 25 – 80 ft
- Salt-resistant Thermal Resin body
 - Impact-resistant special glass
 - Equipped with high-power SMD LEDs
 - RGB full-colour LED option available
 - Marine-grade RNF cable for long-term durability
 - Surface-mount installation — only a 10 mm cable hole is drilled in the hull; the fixture mounts flush on the surface.



 Do not operate without water.  **PATENTED**

Product Specifications



Product Code	AL UWL403 SM
Boat Size	7 m – 25 m / 25 ft – 80 ft
Single-Colour LED	24 pcs — 5730 High Power LED
RGB LED	12 pcs — 5050 High Power LED
LED Degree	110°
Volt	12 V DC
Current	1.0 A (12 V)
Power Consumption	12 W (Single Colour) / 8 W (RGB)
Luminous Flux	White 1200 lm, Blue 720 lm, Green 820 lm
Cable	Single Colour – 2 m 2×0.50 mm ² RNF RGB – 2 m 4×0.50 mm ² RNF
Dimensions	Width 126 mm , Height 19.4 mm , Length 48 mm
Installation Hole	Ø10 mm

U.V.   IP68     **CLASS III**

AL UWL404 SM



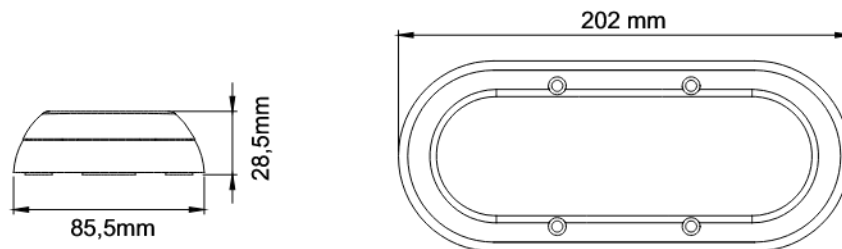
Boat Size: 7 – 25 m / 25 – 80 ft

- Salt-resistant Thermal Resin body
- Impact-resistant special glass
- Equipped with high-power SMD LEDs
- Provides 100 – 110 lumens per watt light output
- RGB full-colour LED option available
- Marine-grade RNF cable ensures long-term durability
- Surface-mount installation — only a 10 mm cable hole is drilled in the hull; the fixture mounts flush on the surface

 Do not operate without water.

1 Year Warranty **PATENTED**

Product Specifications



Product Code	AL UWL404 SM
Boat Size	7mt. - 25mt. / 25ft. - 80ft.
Single-Colour LED	72 pcs 5730 High Power LED
RGB LED	96 pcs 5050 High Power LED
Beam Angle	110°
Voltage	10 – 30 V DC
Current (12 V / 24 V)	3.0 A / 1.5 A
Power Consumption	36 W (Single Colour) / 18 W (RGB)
Luminous Flux	White 3600 lm, Blue 2160 lm, Green 2450 lm
Cable	Single Colour – 2 m 2×0.75 mm ² RNF RGB – 2 m 4×0.50 mm ² RNF
Dimensions	Width 202 mm , Height 28.5 mm , Length 85.5 mm
Installation Hole	Ø10 mm

U.V.   IP68     **CLASS III**

AL UWL405 SM



- Boat Size: 7 – 25 m / 25 – 80 ft
- Salt-resistant Thermal Resin body
 - Impact-resistant special glass
 - Equipped with high-power SMD LEDs
 - Provides 100 – 110 lumens per watt light output
 - RGB full-colour LED option available
 - Marine-grade RNF cable ensures long-term durability
 - Surface-mount installation — only a 10 mm cable hole is drilled in the hull; the fixture mounts flush on the surface

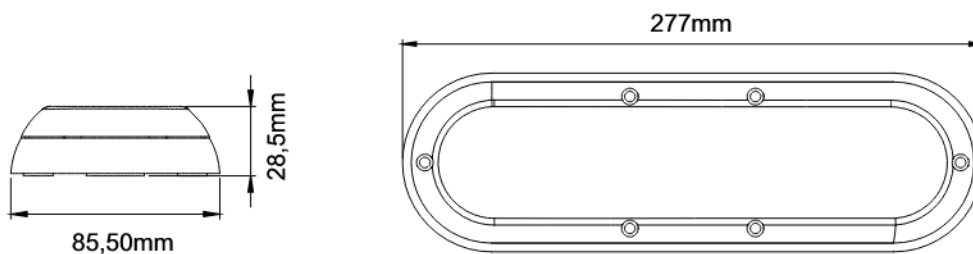


Do not operate without water.



PATENTED

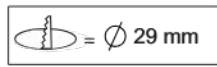
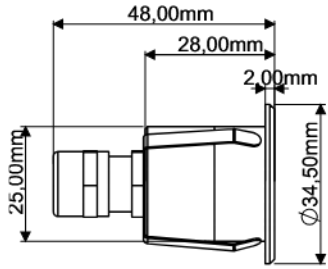
Product Specifications



Product Code	AL UWL405 SM
Boat Size	7mt. - 25mt. / 25ft. - 80ft.
Single-Colour LED	96 pcs 5730 High Power LED
RGB LED	102 pcs 5050 High Power LED
Beam Angle	110°
Voltage	10 – 30 V DC
Current (12 V / 24 V)	4.0A / 2.0A
Power Consumption	48 W (Single Colour) / 30 W (RGB)
Luminous Flux	White 4800 lm, Blue 2880 lm, Green 3250 lm
Cable	Single Colour – 2 m 2×0.75 mm ² RNF RGB – 2 m 4×0.50 mm ² RNF
Dimensions	Width 277 mm , Height 28.5 mm , Length 85.5 mm
Installation Hole	Ø10 mm

U.V. IP68 **CLASS III**

AL 3245-S

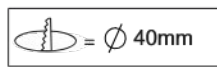
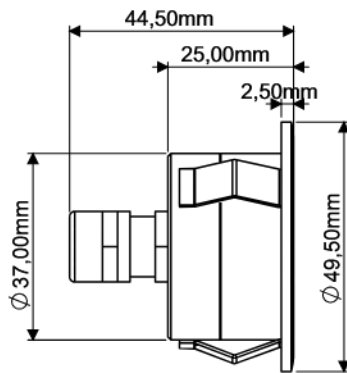


- Interior lighting for all sailing and motor yachts
- AISI 316L stainless-steel body
- Shockproof with UV protection

Product Code	AL 3245-S
LED Colours	White, Naturel White, Warm White, Blue
Watt	3W
Lumen	300 lumen
Voltage	12VDC - 24VDC

U.V. CLASS III

AL 3205-M

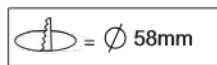
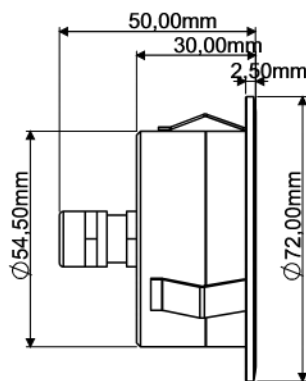


- Interior lighting for all sailing and motor yachts
- AISI 316L stainless-steel body
- Shockproof with UV protection

Product Code	AL 3205-M
LED Colours	White, Naturel White, Warm White, Blue
Watt	3W
Lumen	300 lumen
Volt	12VDC - 24VDC

U.V. CLASS III

AL 3225-L

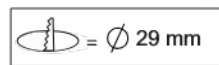
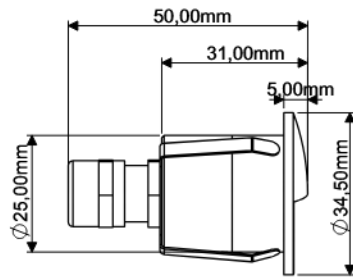


- Interior lighting for all sailing and motor yachts
- AISI 316L stainless-steel body
- Shockproof with UV protection

Product Code	AL 3225-L
LED Colours	White, Naturel White, Warm White, Blue
Watt	3W
Lumen	300 lumen
Volt	12VDC - 24VDC

U.V. CLASS III

AL 3255-S



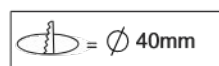
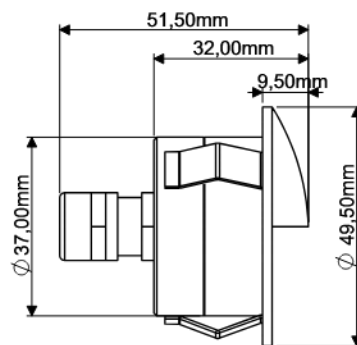
- Interior lighting for all sailing and motor yachts
- AISI 316L stainless-steel body
- Shockproof with UV protection

Product Code	AL 3255-S
LED Colours	White, Naturel White, Warm White, Blue
Watt	3W
Lumen	300 lumen
Volt	12VDC - 24VDC

U.V.



AL 3215-M



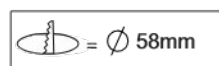
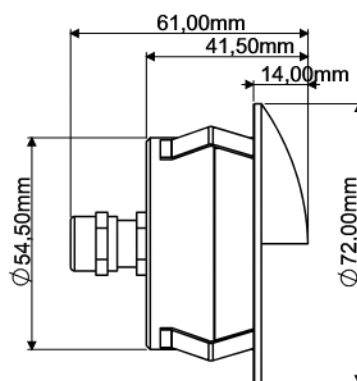
- Interior lighting for all sailing and motor yachts
- AISI 316L stainless-steel body
- Shockproof with UV protection

Product Code	AL 3215-M
LED Colours	White, Naturel White, Warm White, Blue
Watt	3W
Lumen	300 lumen
Volt	12VDC - 24VDC

U.V.



AL 3235-L



- Interior lighting for all sailing and motor yachts
- AISI 316L stainless-steel body
- Shockproof with UV protection

Product Code	AL 3235-L
LED Colours	White, Naturel White, Warm White, Blue
Watt	3W
Lumen	300 lumen
Volt	12VDC - 24VDC

U.V.



READING LIGHTING

Crafted from high-quality AISI 316L stainless steel, the reading light provides excellent resistance to corrosion and impact, making it ideal for both indoor and outdoor environments. With a wide operating range of 9 – 31 V DC, it easily adapts to various power sources, perfect for yachts, caravans, or bedside applications.

Equipped with 3 Power LEDs, it delivers 2,2 W and 220 lumens of bright, well-balanced light that reduces eye strain. The lamp can be operated via switch or touch control, and an optional USB port (5 V 3 A) allows convenient device charging making it a versatile lighting choice for any interior.



AL 2012 MIRA / USB USB Charging

- Constructed from AISI 316L stainless steel for exceptional resistance to corrosion and impact.
- Compatible with a variety of power sources, thanks to its 9V–31VDC input range.
- Features 2,2W power output and 220 lumens of brightness with balanced light distribution.
- Simple switch or touch-sensitive controls for effortless on/off functionality.
- Supports 5V 3A charging, providing a convenient way to power your devices.
- Low energy consumption and extended LED lifespan.
- Suitable for yachts, caravans, bedside use, or reading corners.



AL 2032 VERA



AL 2012 MIRA



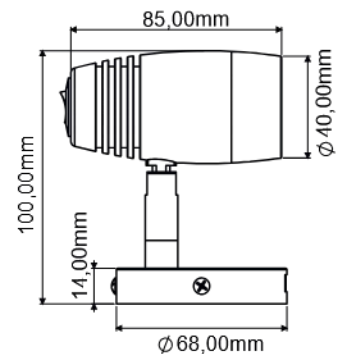
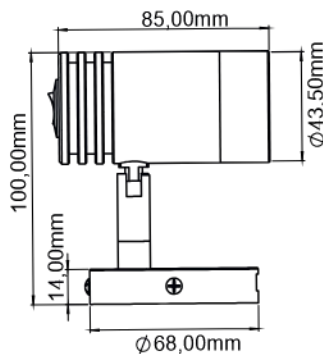
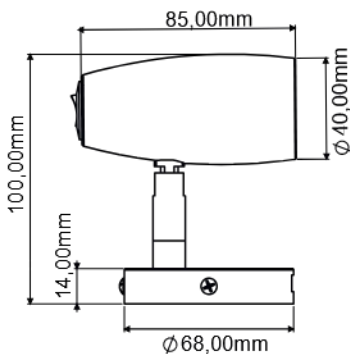
AL 2022 NORA



AL 2032 VERA



	AL 2012 MIRA	AL 2012TC MIRA	AL 2022 NORA	AL 2022TC NORA	AL 2032 VERA	AL 2032TC VERA
Product Code	AL 2012 MIRA (WH,WW,NW)	AL 2012TC MIRA (WH,WW,NW)	AL 2022 NORA (WH,WW,NW)	AL 2022TC NORA (WH,WW,NW)	AL 2032 VERA (WH,WW,NW)	AL 2032TC VERA (WH,WW,NW)
	AL 2012 MIRA/USB (WH,WW,NW)	AL 2012TC MIRA/USB (WH,WW,NW)	AL 2022 NORA/USB (WH,WW,NW)	AL 2022TC NORA/USB (WH,WW,NW)	AL 2032 VERA/USB (WH,WW,NW)	AL 2032TC VERA/USB (WH,WW,NW)
Working Options	ON/OFF with main line	Touch On/Off	ON/OFF with main line	Touch On/Off	ON/OFF with main line	Touch On/Off
LED Colours	White (6000K) ,Day Light (4000K), Warm White (3000K)					
Watt / Lumen	2,2W / 220 lm					
Volt	9 - 31 V DC					
USB	The USB charger port is optional USB charger support 5V 3A					



U.V. IP65 CLASS III

1 Year
Warranty



SPECIFICATIONS

- Non-oxidizing and corrosion-resistant body.
- High light efficiency and greater lumens per watt with new-generation SMD LEDs.
- Direct lighting design — prevents light loss compared to indirect systems.
- Homogeneous light diffusion through PC diffuser glass.
- UV-protected ABS frame, available in Nickel Black, Chrome, Matt Chrome, Tumbled Copper, and Gold finishes.
- Thermal resin cooling body for improved heat dissipation.

Product Code	AL 4185	AL 4185 TC	AL 4195	AL 4195 TC	AL 4205	AL 4205 TC
Working Options	ON/OFF with main line	Touch On/Off	ON/OFF with main line	Touch On/Off	ON/OFF with main line	Touch On/Off
Watt / Lumen	6Watt / 600 Lumen		6Watt / 600 Lumen		12Watt / 1200 Lumen	
LED Colours	White (6000K) ,Day Light (4000K), Warm White (3000K)					
Volt	12V DC / 24V DC					

AL 4185 SERIES



AL 4185 WH
(White Frame)



AL 4185 CR
(Chrome Frame)



AL 4185 AC
(Antique Copper Frame)



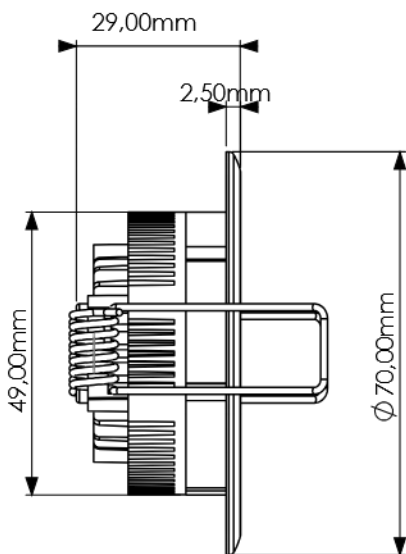
AL 4185 BL&NBL
(Black or Nickel Black Frame)

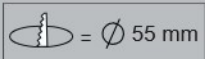


AL 4185 MCR
(Matt Chrome Frame)



AL 4185 SG
(Satin Gold Frame)



Product Code	AL 4185	AL 4185TC (Touch Control)
LED Colours	White (6000K), Day Light (4000K), Warm White (3000K)	
Watt / Lumen	6Watt / 600 Lumen	
Volt	12V DC / 24V DC	
Product Sizes	Frame: 70mm, Height: 29mm, Hole dimension: 55mm	
Mounting Hole Diameter	 = Ø 55 mm	
Working Options	Touch On/Off or ON/OFF with main line	



AL 4195 SERIES



AL 4195 WH
(White Frame)



AL 4195 CR
(Chrome Frame)



AL 4195 AC
(Antique Copper Frame)



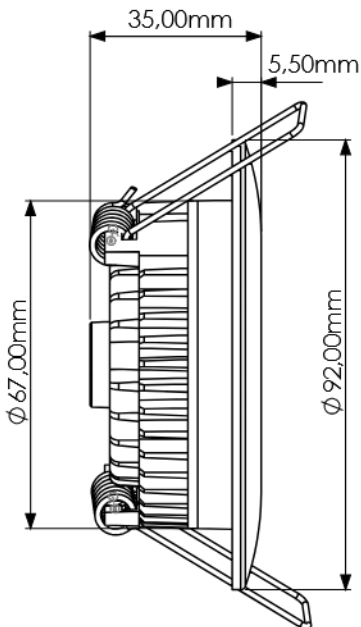
AL 4195 BL & NBL
(Black or Nickel Black Frame)



AL 4195 MCR
(Matt Chrome Frame)



AL 4195 SG
(Satin Gold Frame)



Product Code	AL 4195	AL 4195TC (Touch Control)
LED Colours	White (6000K), Day Light (4000K), Warm White (3000K)	
Watt / Lumen	6Watt / 600 Lumen	
Volt	12V DC / 24V DC	
Product Sizes	Frame: 92mm, Height: 35mm, Hole dimension: 70mm	
Mounting Hole Diameter		
Working Options	Touch On/Off or ON/OFF with main line	



AL 4205 SERIES



AL 4205 WH
(White Frame)



AL 4205 CR
(Chrome Frame)



AL 4205 AC
(Antique Copper Frame)



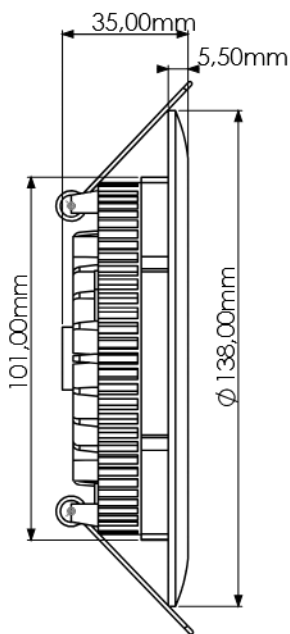
AL 4205 BL & NBL
(Black or Nickel Black Frame)



AL 4205 MCR
(Matt Chrome Frame)



AL 4205 SG
(Satin Gold Frame)



Product Code	AL 4205	AL 4205TC (Touch Control)
LED Colours	White (6000K), Day Light (4000K), Warm White (3000K)	
Watt / Lumen	12Watt / 1200 Lumen	
Volt	12V DC / 24V DC	
Product Sizes	Frame: 138mm, Height: 35mm, Hole dimension: 105mm	
Mounting Hole Diameter		
Working Options	Touch On/Off or ON/OFF with main line	





AKBORU ELEKTRİK LTD. CO.

**Perpa Ticaret Merkezi A Blok Kat. 8 No. 702,
34384 Sisli, Istanbul, TURKIYE**

Tel : +90 212 2102526 / +90 212 2102522

Fax: +90 212 2102527

www.akboru.com

info@akboru.com

